

FINISH SCHEDULE

TAG	MFR	STYLE	COLOR
PL-2	WILSONART	4779-60	PEWTER BRUSH
PL-1	FORMICA	2297-MC	TERRIL MICRO DOT
MEL-1	MELAMINE		WHITE
EB-2			

HARDWARE SCHEDULE

TAG	TYPE	INFO
HW1	HINGE	5 KNUCKLE
HW2	DRAWER SLIDE	ACCURIDE
HW3	LOCKS	OLYPMUS 721
HW4	SHELF SUPPORTS	SPOON TYPE
HW5	PULLS	4" WIRE PULLS

DRAWING INDEX

PAGE	DESCRIPTION	NOTES
00	SCHEDULE PAGE	THIS PAGE
10(0)	COFFEE BAR	PAN / ELEV
10(1)	COFFEE BAR	SECTION
20(2)	DISPLAY CASE	PLAN
20(3)	DISPLAY CASE	ELEV / SECT
30(4)	EATING BAR	

REVISION

DATE	REVISION

CLIENT

1443 N Northlake Way
Seattle, WA 98103

NOTES:

CLIENTS

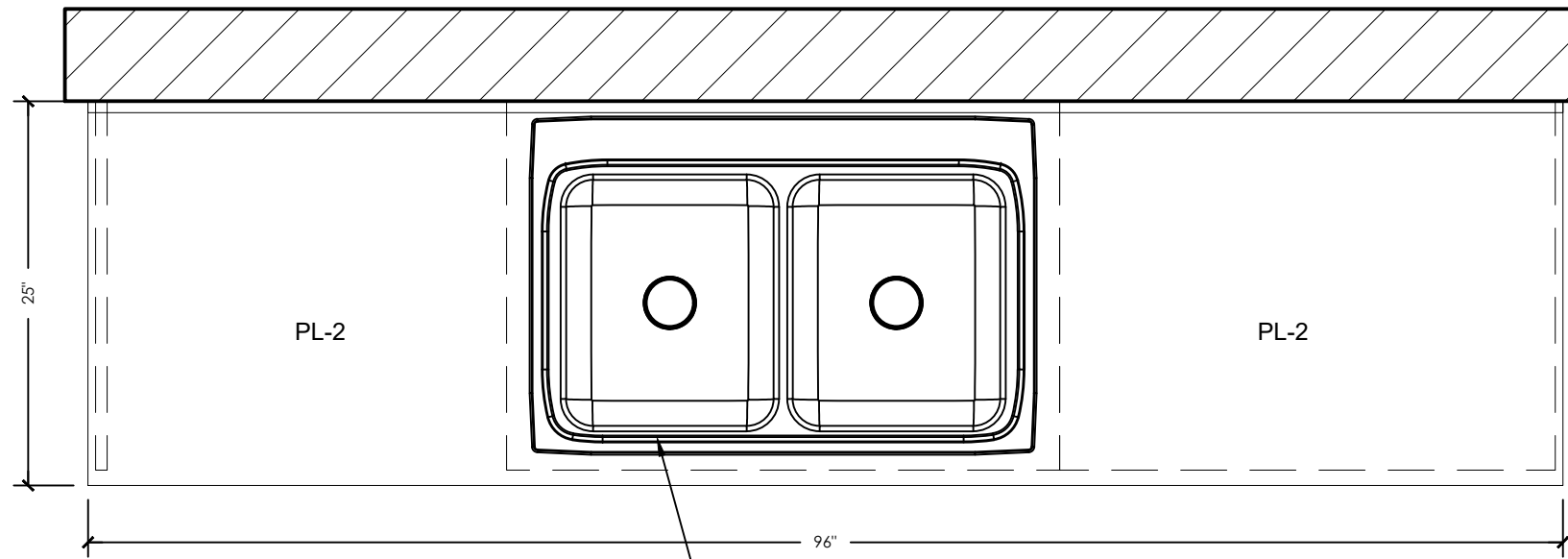
BY: SPD

DATE: 1-14-2017

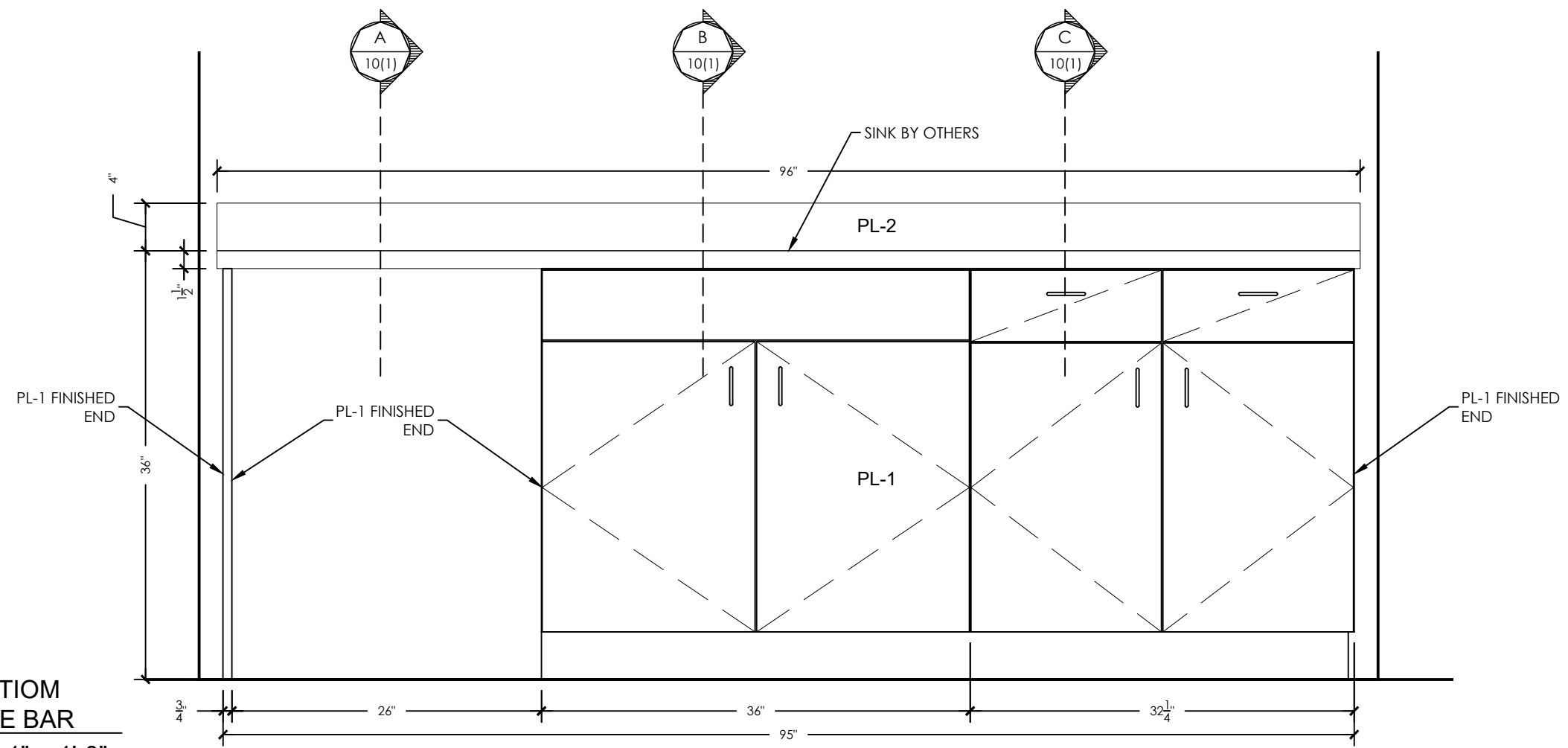
SCALE: SEE DRAWING

SHEET #:

0.0



1 PLAN VIEW
COFFEE BAR
SCHEDULE SCALE: 1" = 1'-0"



2 ELEVATION
COFFEE BAR
SCALE: 1" = 1'-0"

REVISION

DATE	REVISION
1-8-2017	CORRECT FINISH

CLIENT

1443 N Northlake Way
Seattle, WA 98103

NOTES:

COFFEE BAR

BY: SPD

DATE: 1-14-2017

SCALE: SEE DRAWING

SHEET #:

10 (0)

REVISION

DATE	REVISION
1-8-2017	CORRECT FINISH

CLIENT

1443 N Northlake Way
Seattle, WA 98103

NOTES:

COFFEE BAR

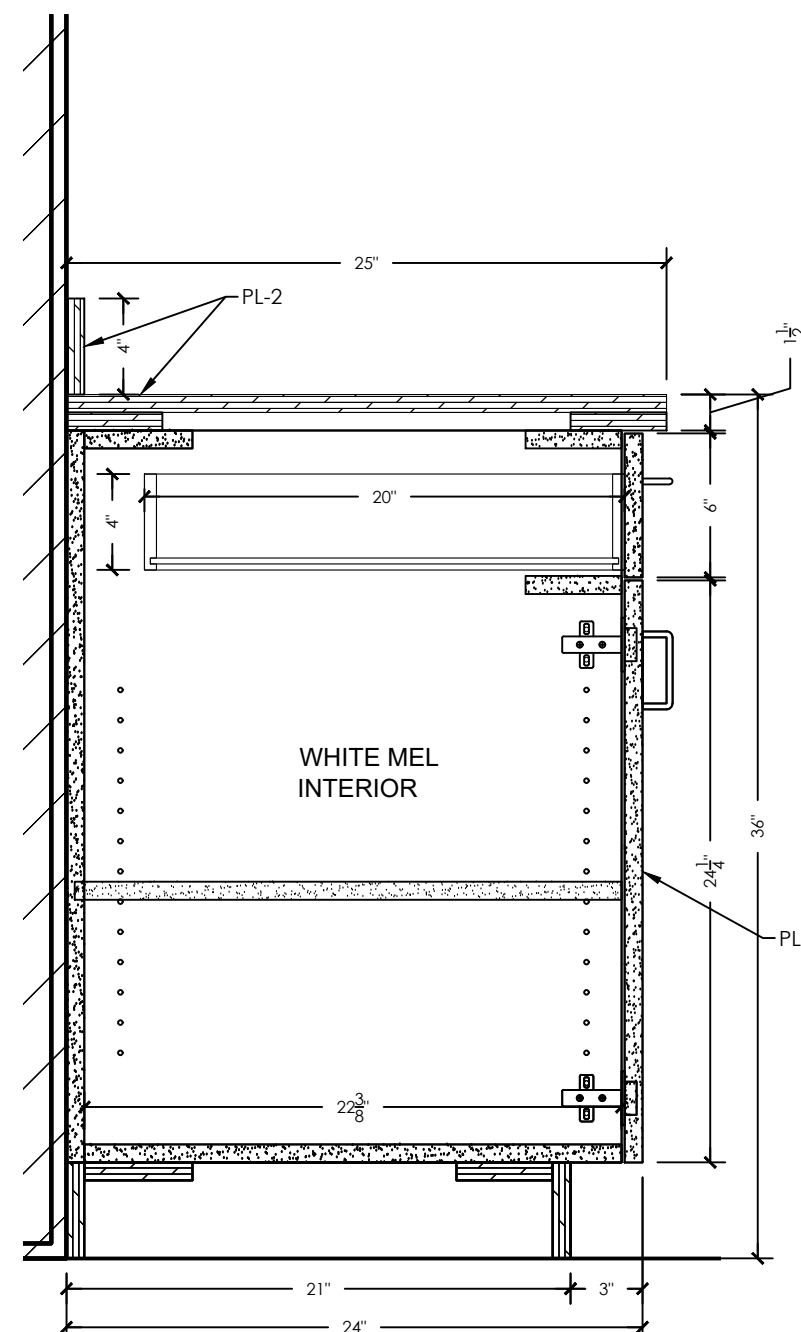
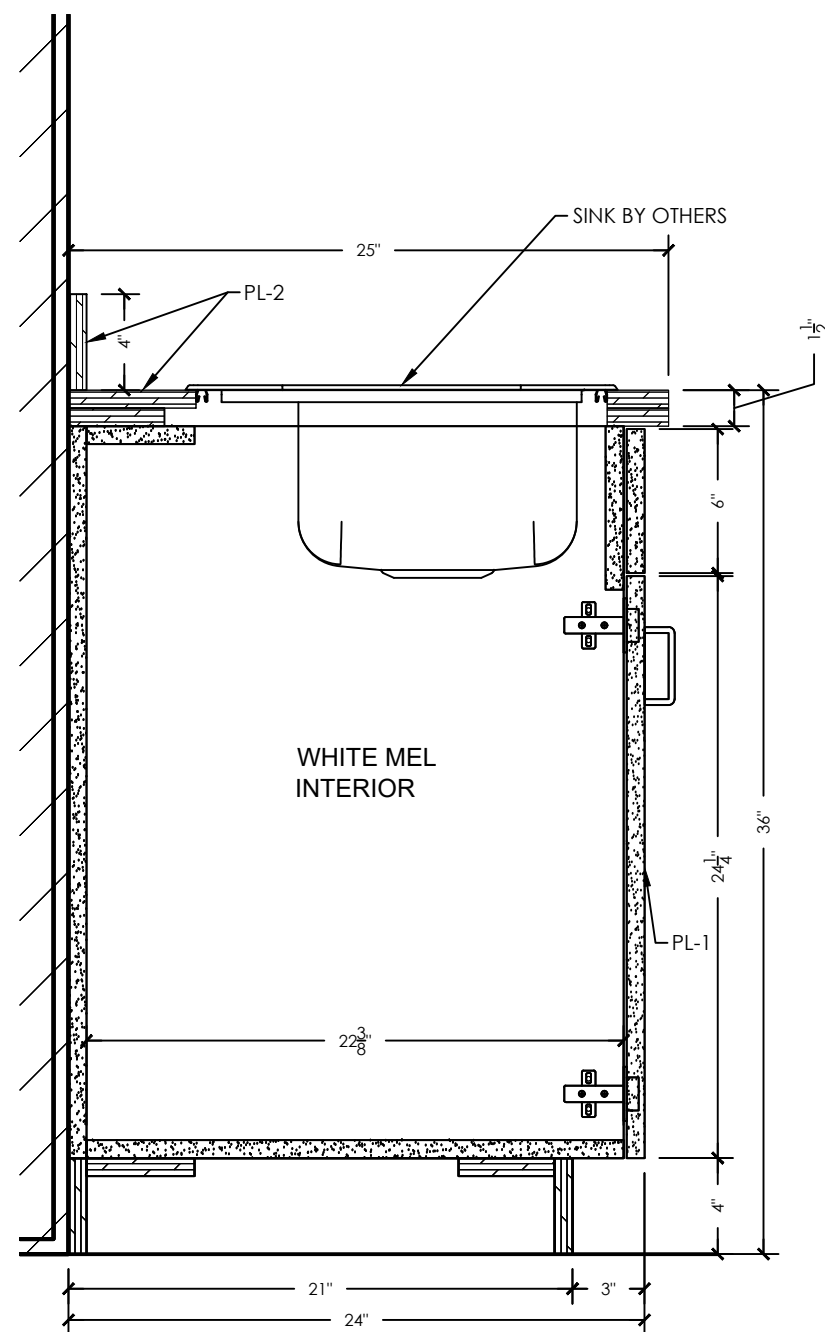
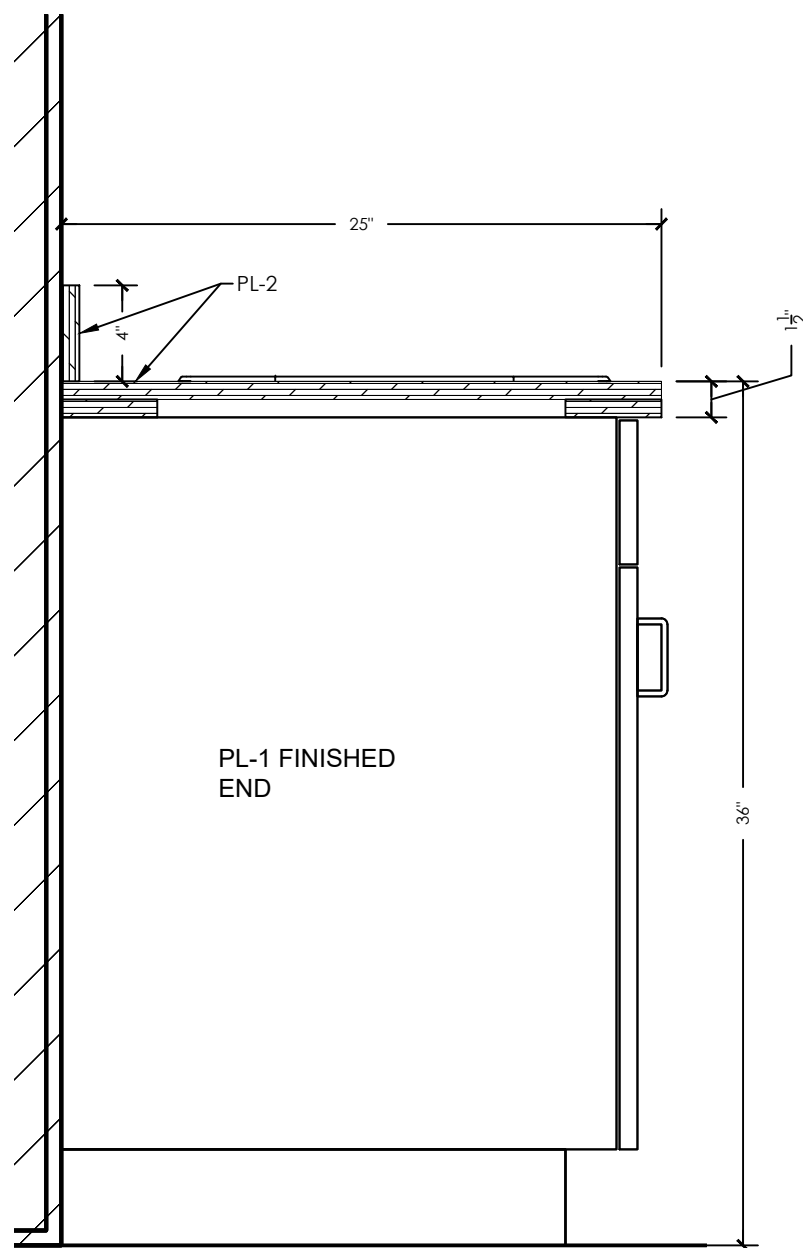
BY: SPD

DATE: 1-14-2017

SCALE: SEE DRAWING

SHEET #:

10 (1)



A
SECTION
COFFEE BAR
10 (1) SCALE: 1 1/2" = 1'-0"

B
SECTION
COFFEE BAR
10 (1) SCALE: 1 1/2" = 1'-0"

C
SECTION
COFFEE BAR
10 (1) SCALE: 1 1/2" = 1'-0"

REVISION

DATE	REVISION
1-8-2017	CORRECT FINISH

CLIENT

1443 N Northlake Way
Seattle, WA 98103

NOTES:

DISPLAY
CASE

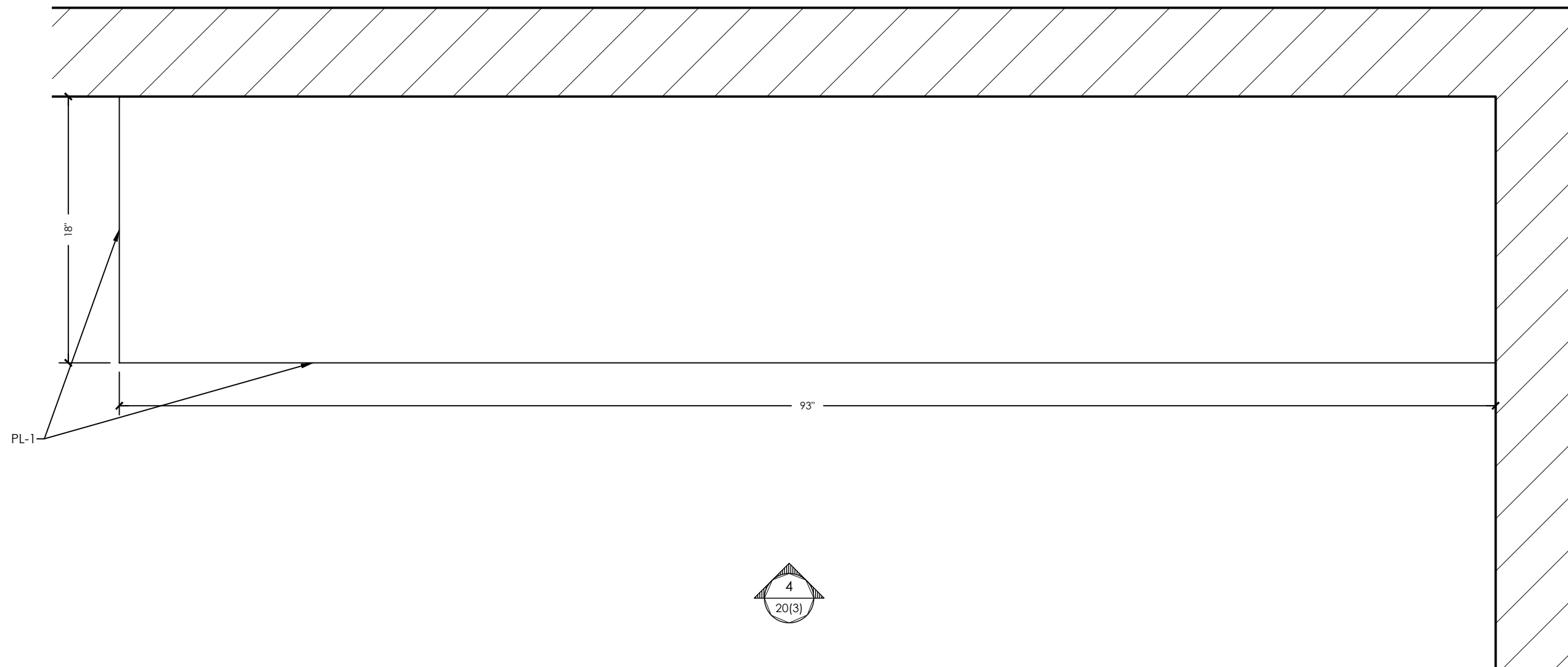
BY: SPD

DATE: 1-14-2017

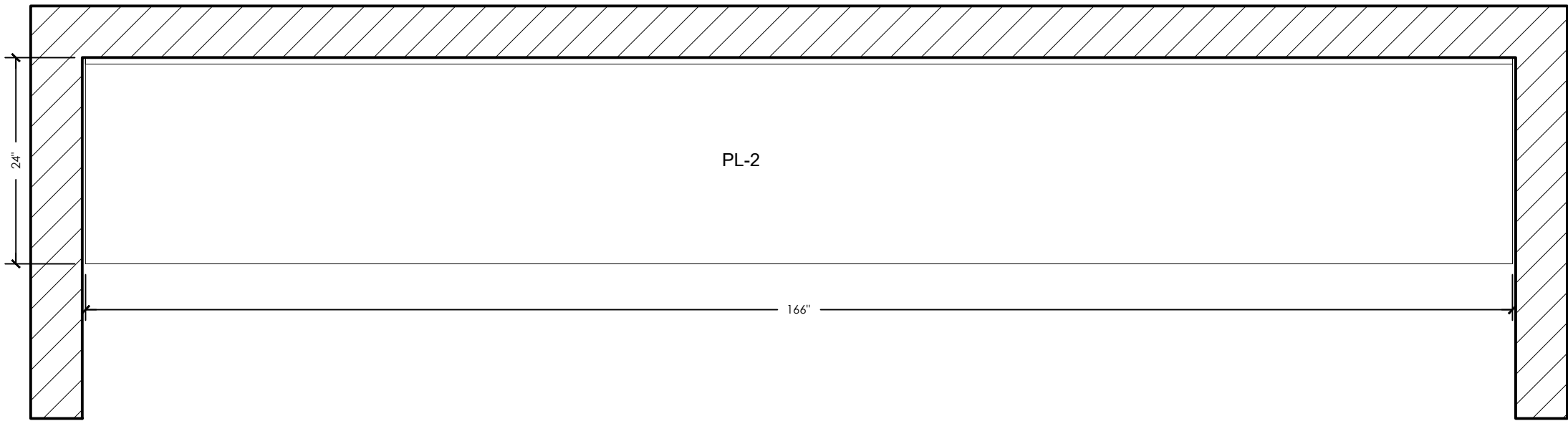
SCALE: SEE DRAWING

SHEET #:

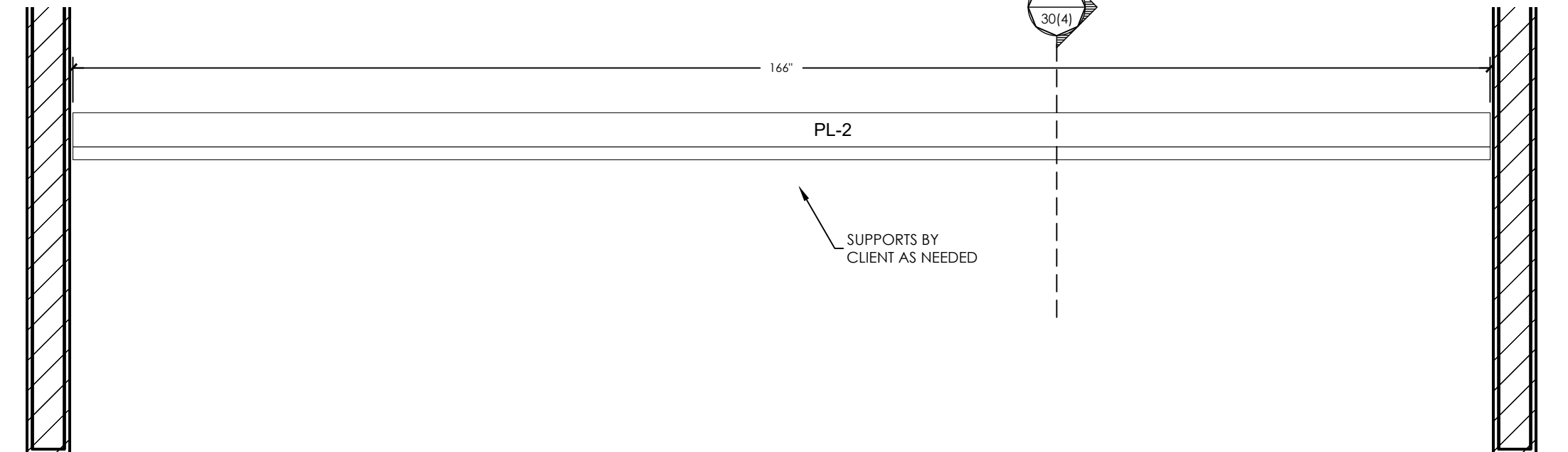
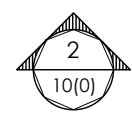
20 (2)



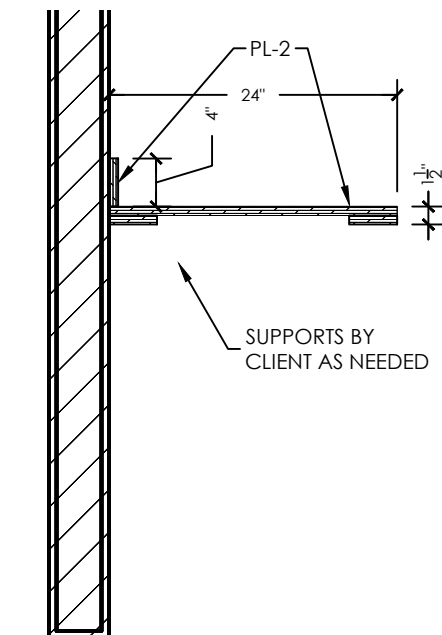
PLAN VIEW
DISPLAY CASE
3
SCALE: 1 1/2" = 1'-0"



1 PLAN VIEW
EATING BAR
SCHEDULE SCALE: 3/4" = 1'-0"



2 ELEVATION
EATING BAR
30(4) SCALE: 3/4" = 1'-0"



E SECTION
EATING BAR
30(4) SCALE: 3/4" = 1'-0"

REVISION	
DATE	REVISION
1-8-2017	CORRECT FINISH

CLIENT

1443 N Northlake Way
Seattle, WA 98103

NOTES:

EATING BAR

BY: SPD
DATE: 1-14-2017
SCALE: SEE DRAWING
SHEET #:

30(4)