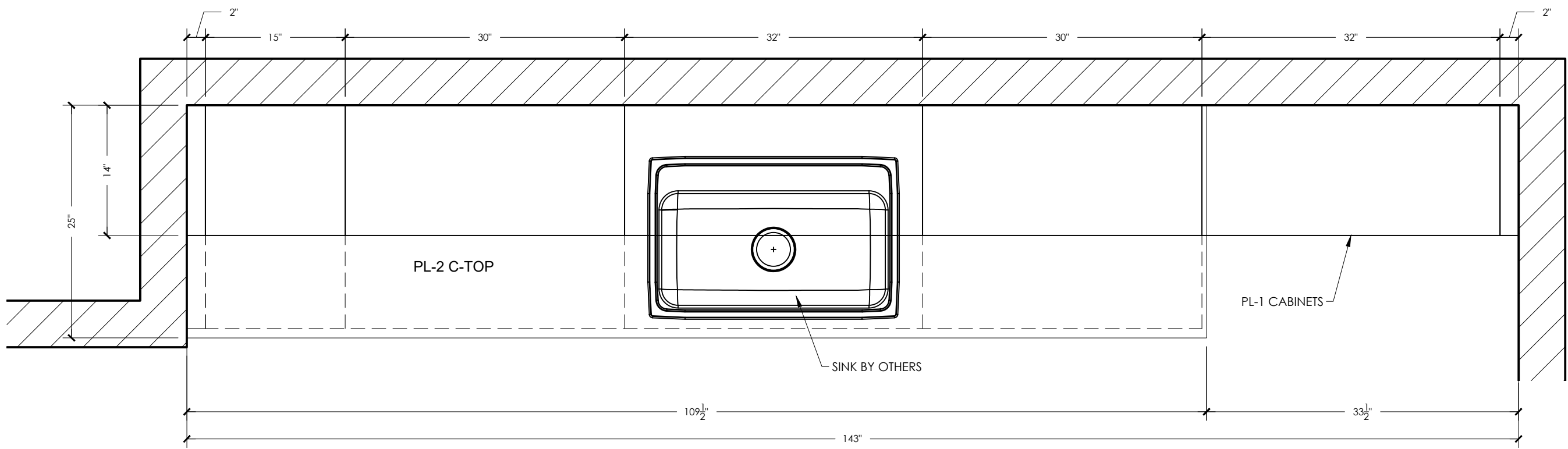


DRAWING INDEX		
PAGE	DESCRIPTION	NOTES
00	SCHEDULE PAGE	THIS PAGE
10(0)	(110) ENTRY WEST	PLAN
10(1)	(110) ENTRY WEST	ELEVATION
10(2)	(110) ENTRY WEST	SECTION

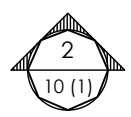
FINISH SCHEDULE			
TAG	MFR	STYLE	COLOR
MEL-1		MELAMINE INTERIOR	FOLKSTONE GRAY
PL-1	WILSONART	8203K-28	SILVER OAK PLY
PL-2	WILSONART	D495-60	COFFEE BEAN

HARDWARE SCHEDULE		
TAG	TYPE	INFO
HW1	HINGE	BLUM 120 DEGREE
HW2	DRAWERS	ACCURIDE 3832 OR EQUIV
HW3	SHELF SUPPORTS	PLASTICE DOUBLE PIN W/ HOLD DOWN
HW4	PULLS	4" WIRE PULL BRUSHED CHROME

REVISION	
DATE	REVISION
CLIENT	
TACOMA, WA	
NOTES:	
SCHEDULES & INDEX	
BY: SPD	
DATE: 3-10-2017	
SCALE: SEE DRAWING	
SHEET #:	
0.0	



1 PLAN VIEW  
 (110) ENTRY WEST  
 SCALE: 1" = 1'-0"



REVISION	
DATE	REVISION

CLIENT  
 TACOMA, WA

NOTES:

(110) ENTRY  
 WEST

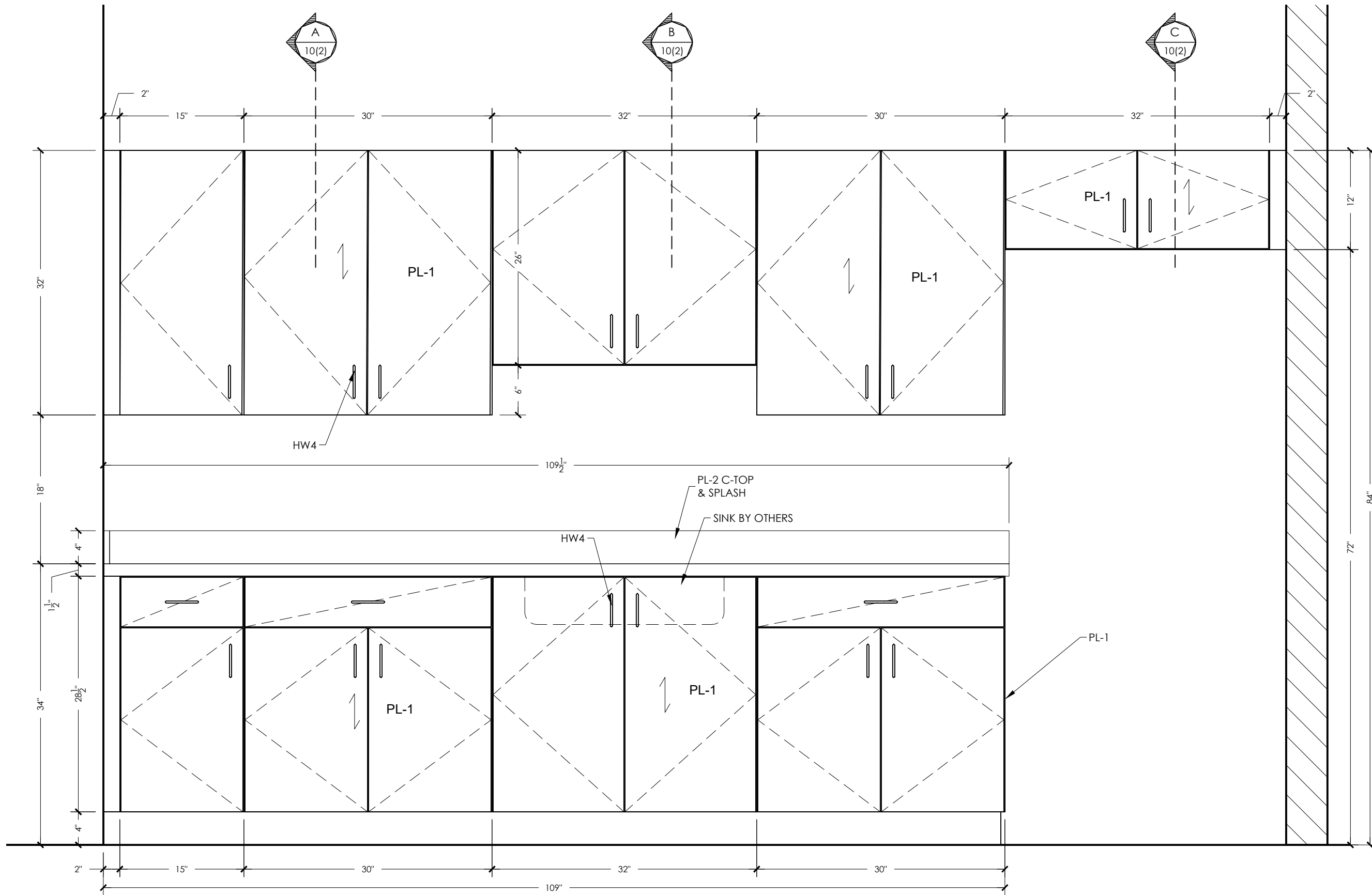
BY: SPD

DATE: 3-10-2017

SCALE: SEE DRAWING

SHEET #:

10 (0)



2
**ELEVATION**  
**(110) ENTRY WEST**  
**SCALE: 1" = 1'-0"**

REVISION	
DATE	REVISION

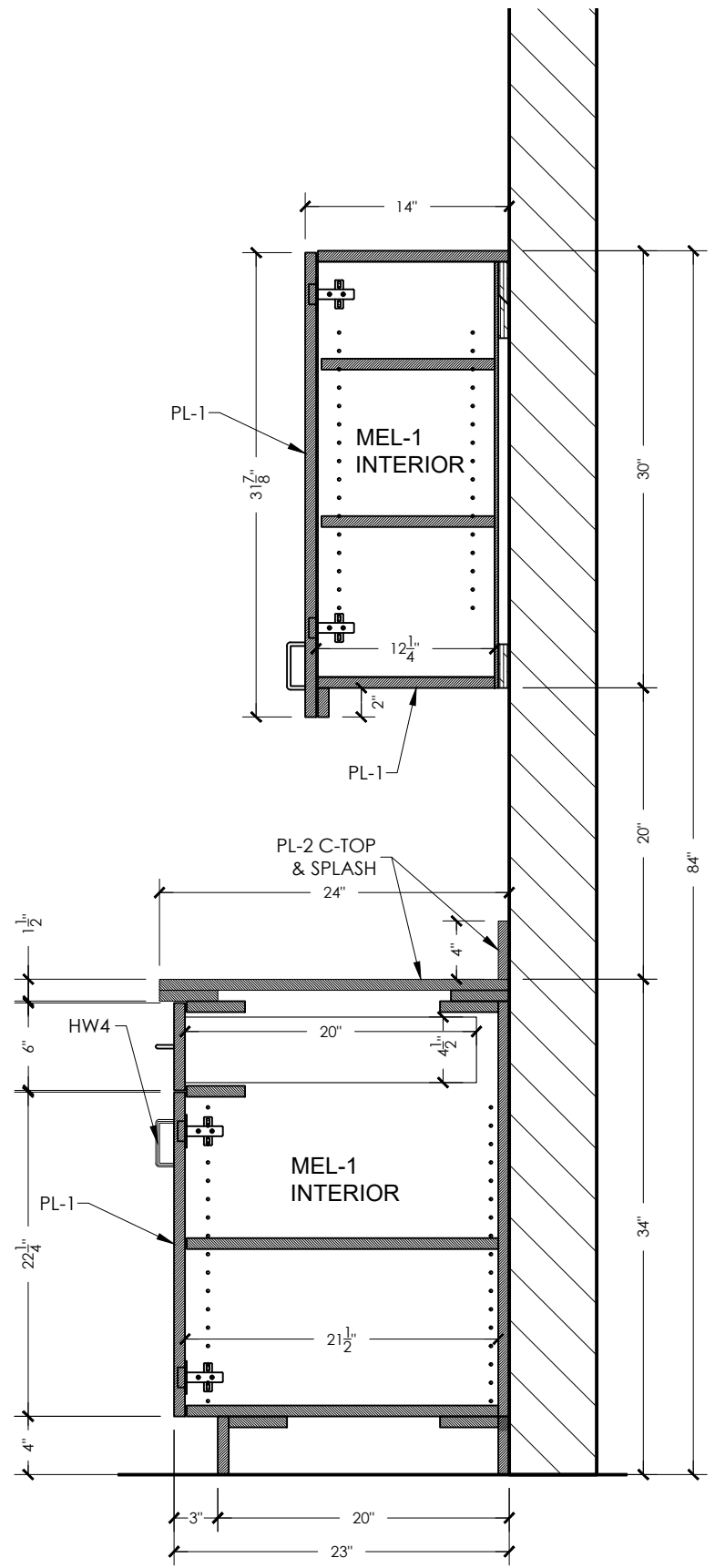
**CLIENT**  
  
 TACOMA, WA

NOTES:

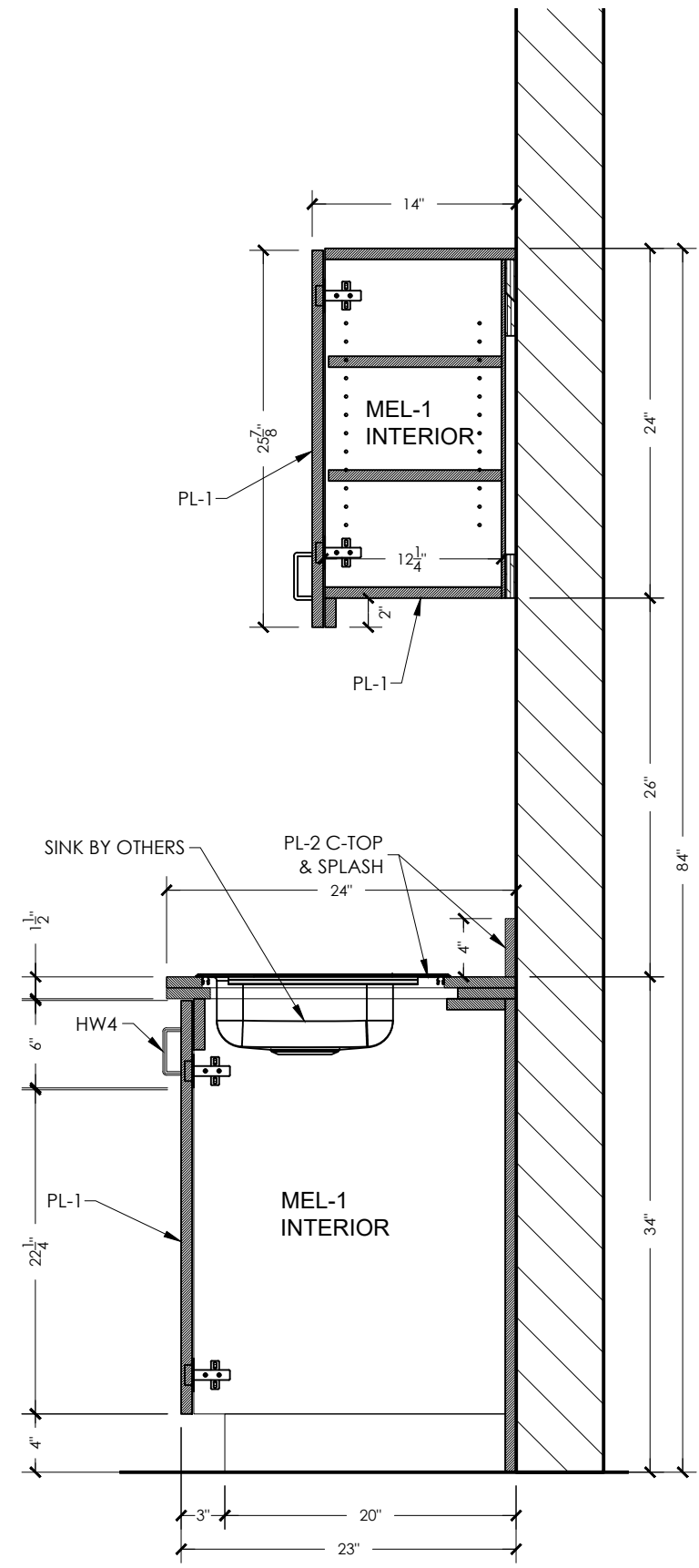
**(110) ENTRY WEST**

BY: SPD  
 DATE: 3-10-2017  
 SCALE: SEE DRAWING  
 SHEET #:

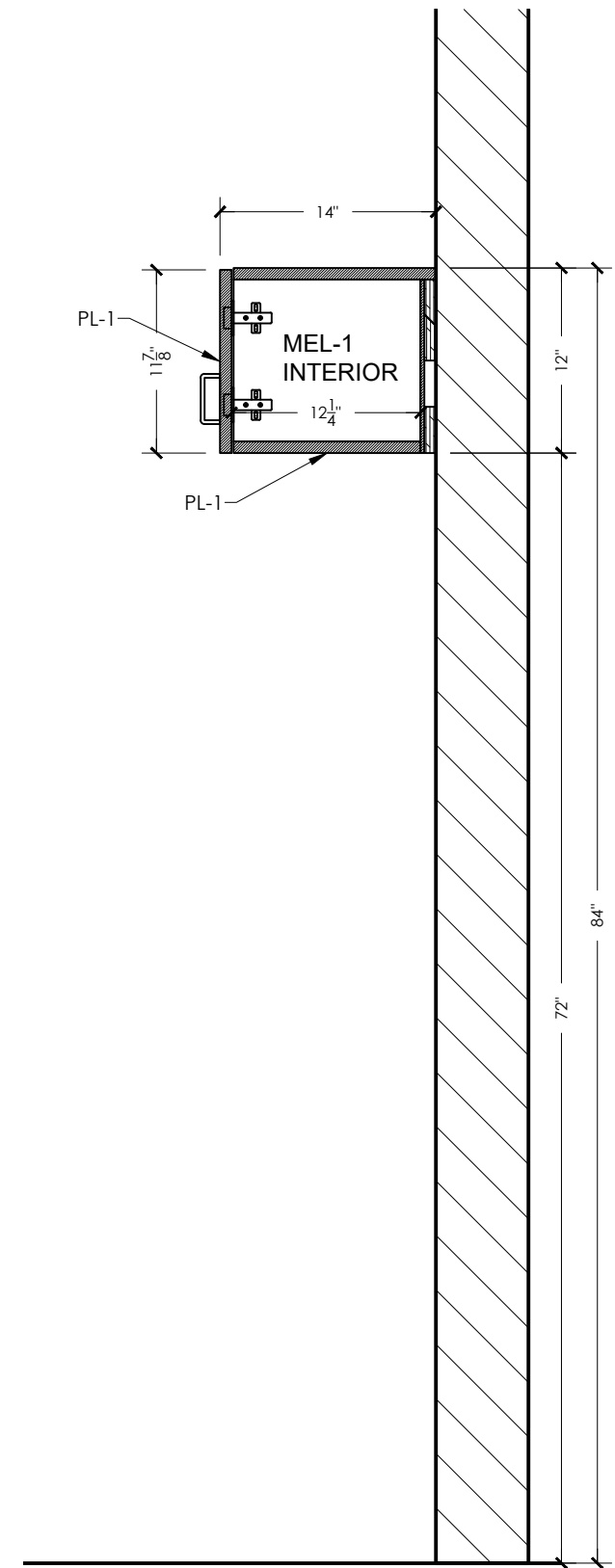
**10 (1)**



**A** SECTION  
(110) ENTRY WEST  
SCALE: 1" = 1'-0"



**B** SECTION  
(110) ENTRY WEST  
SCALE: 1" = 1'-0"



**C** SECTION  
(110) ENTRY WEST  
SCALE: 1" = 1'-0"

REVISION	
DATE	REVISION
CLIENT	
TACOMA, WA	
NOTES:	
(110) ENTRY WEST	
BY: SPD	
DATE: 3-10-2017	
SCALE: SEE DRAWING	
SHEET #:	
10 (2)	