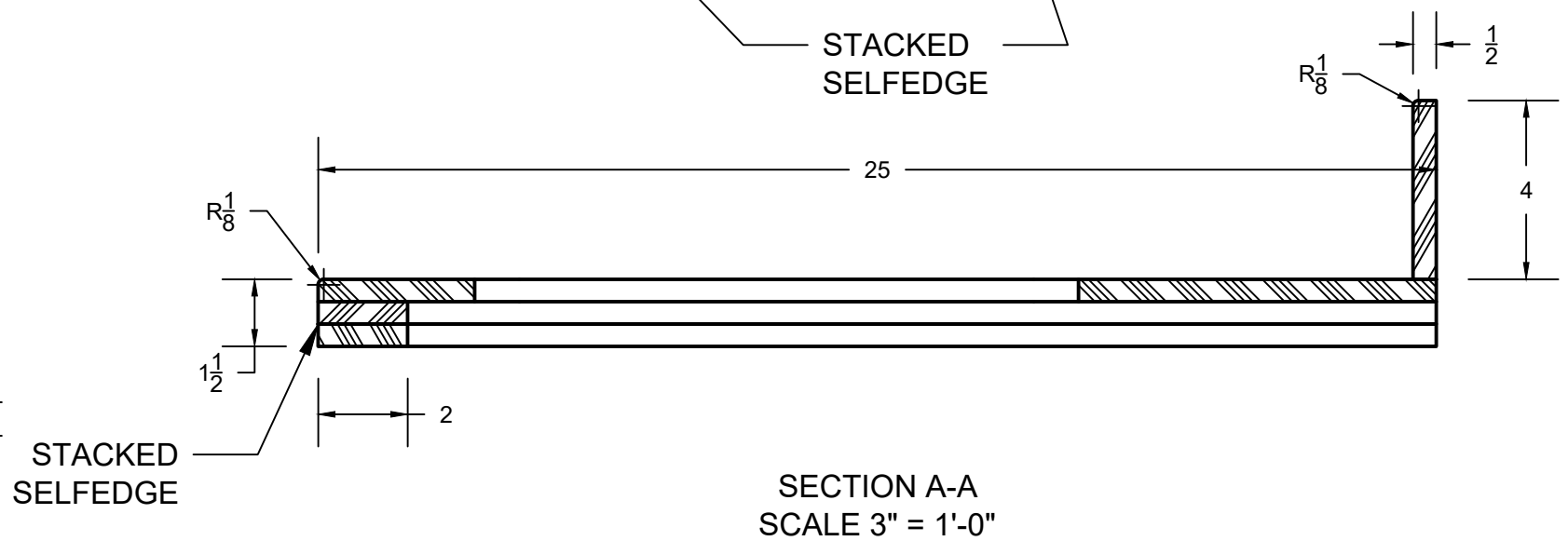
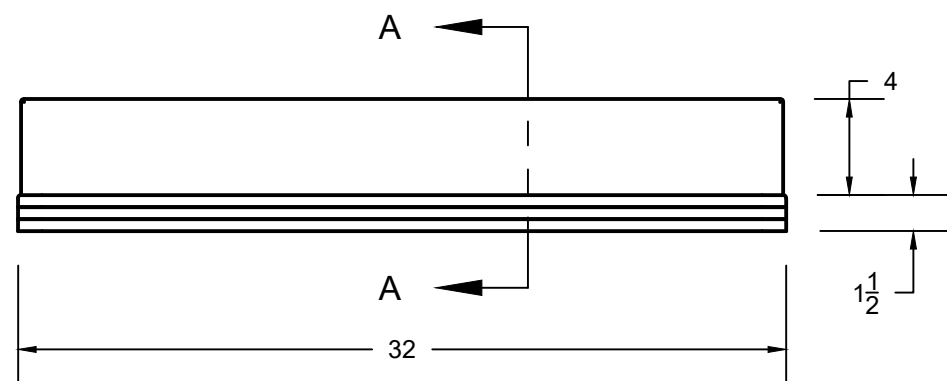
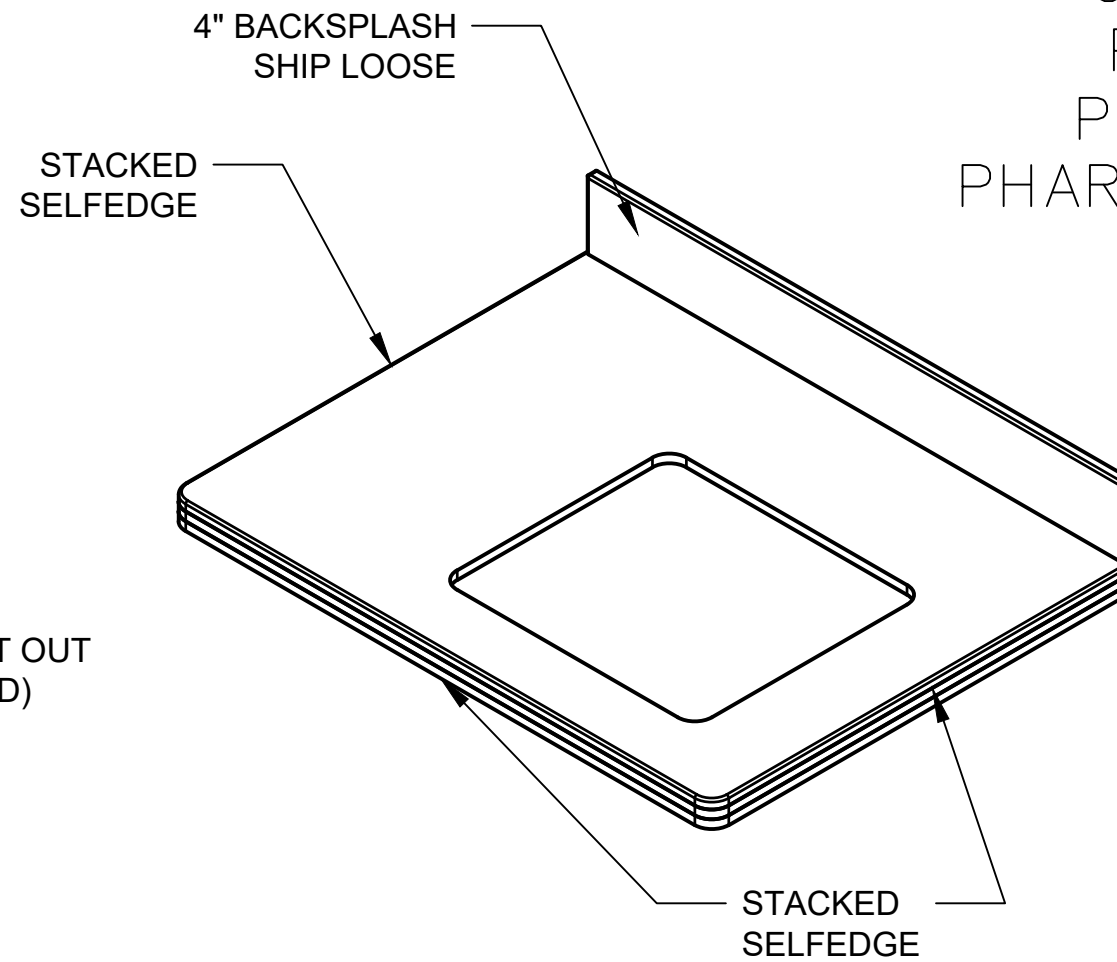
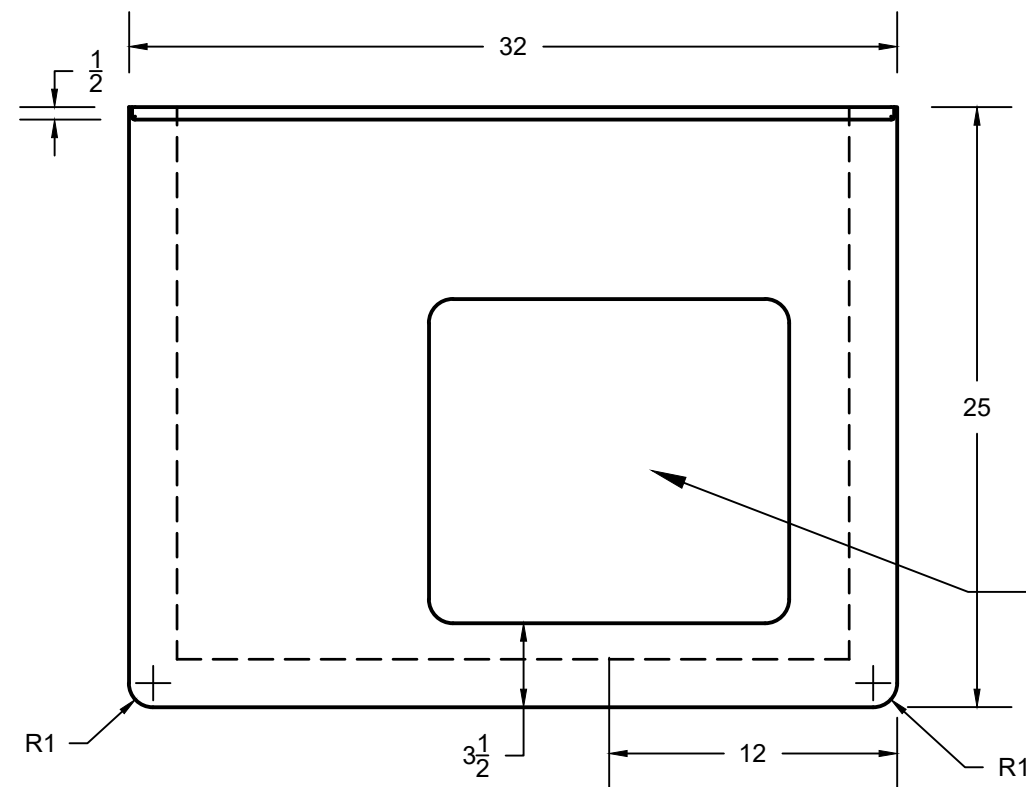


ITEM NO.	PART NUMBER	DESCRIPTION	QTY.
1	170013-03-01	COUNTER TOP - 3CM LUNA SAND BY FORMICA	1

CUSTOMER  
PROJECT  
PHARMACY  
PHARMACY C-TOP



DIMENSIONS ARE IN INCHES  
TOLERANCES:  
FRACTIONAL 1/16TH  
ANGULAR: 1 DEGREE  
ONE PLACE DECIMAL 0.1  
TWO PLACE DECIMAL 0.06  
THREE PLACE DECIMAL 0.030  
DO NOT SCALE DRAWING

ENG APPR./INIT.

SPD

DESIGN APPR./INIT.

PROD. APPR./INIT.

DATE DRAWN

DATE

DATE

CLIENT

\*\*\*

JOB NAME

\*\*\*

SHEET 3 OF 4

PART NUMBER

170013-03-01

DESCRIPTION

3CM LUNA SAND BY FORMICA

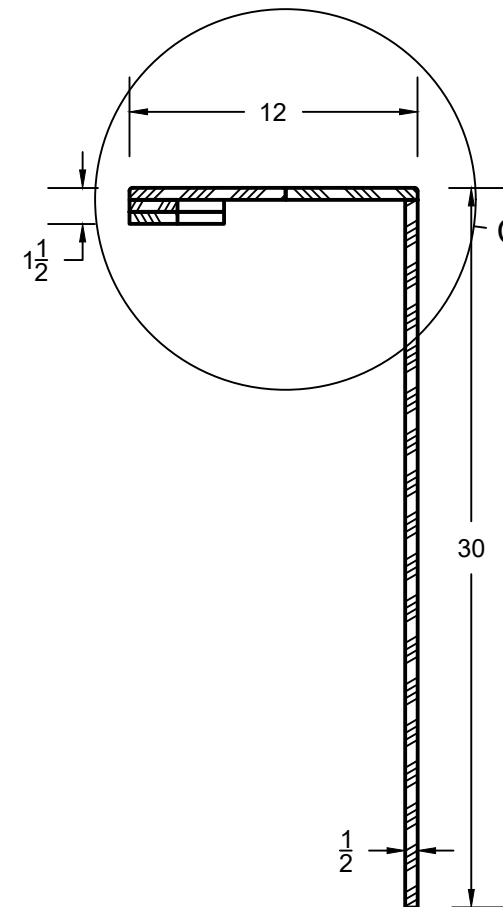
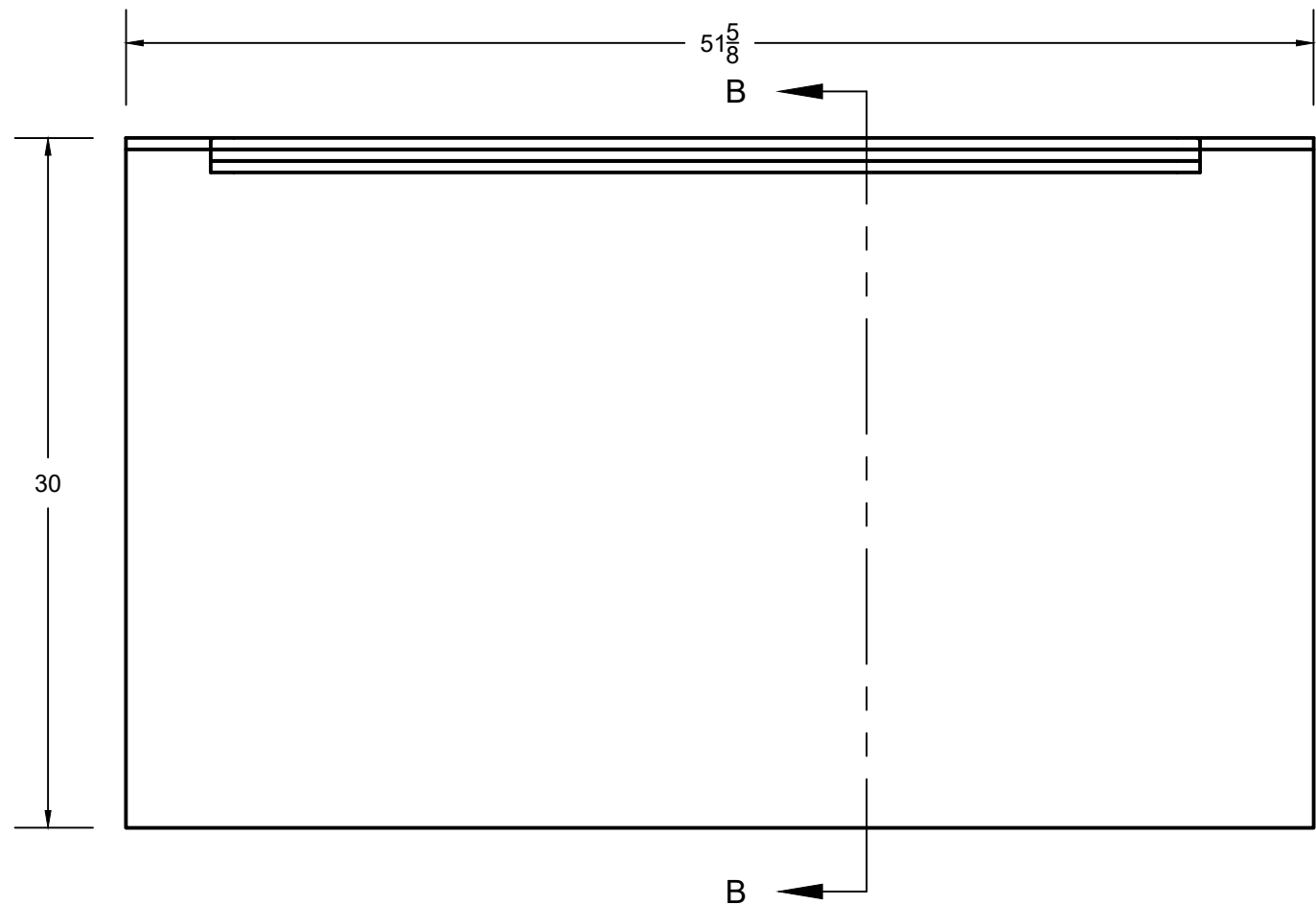
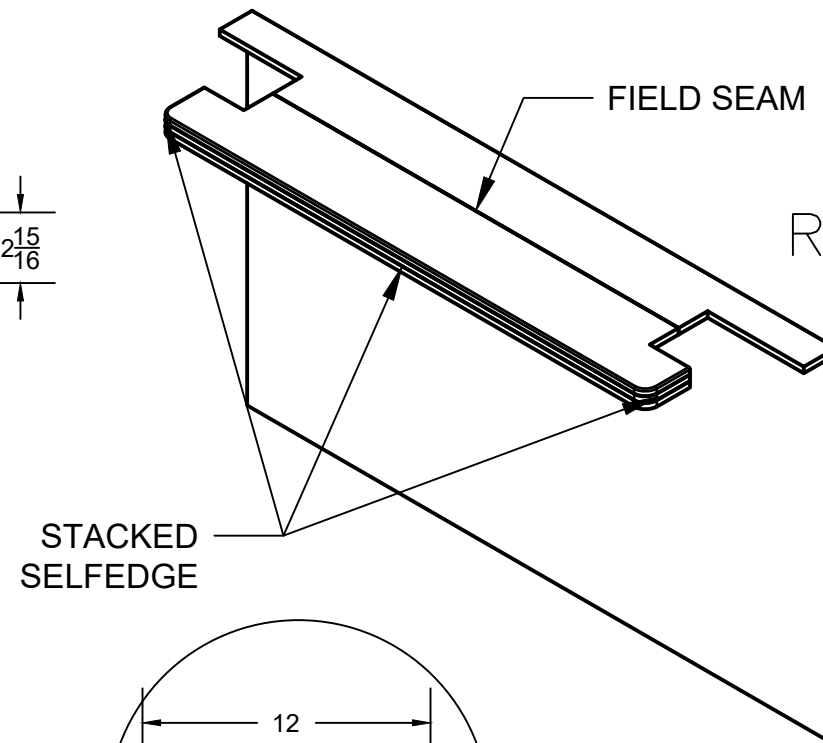
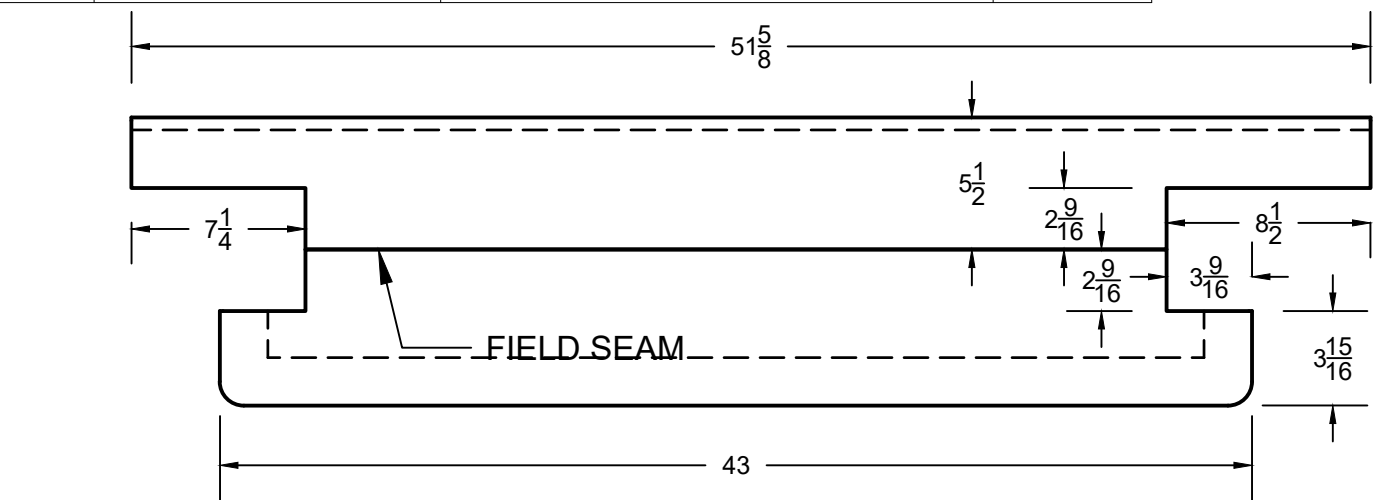
DRAWING NO.

REV.

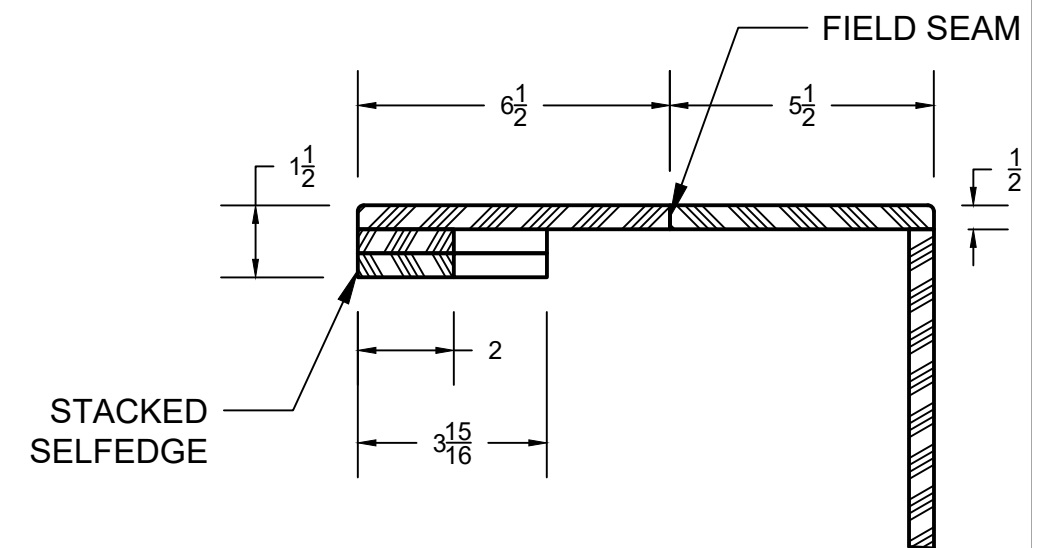
B

ITEM NO.	PART NUMBER	DESCRIPTION	QTY.
1	170013-04-01	COUNTER TOP - 3CM LUNA SAND BY FORMICA	1

CUSTOMER  
PROJECT  
PHARMACY  
RECEPTION PASS THRU



SECTION B-B  
SCALE 1-1/2" = 1'-0"



DETAIL C  
SCALE 3" = 1'-0"

DIMENSIONS ARE IN INCHES  
TOLERANCES:  
FRACTIONAL 1/16TH  
ANGULAR: 1 DEGREE  
ONE PLACE DECIMAL 0.1  
TWO PLACE DECIMAL 0.06  
THREE PLACE DECIMAL 0.030  
DO NOT SCALE DRAWING

ENG APPR./INIT.  
SPD

DESIGN APPR./INIT.

PRDD. APPR./INIT.

DATE DRAWN

DATE

DATE

CLIENT

\*\*\*

JOB NAME

\*\*\*

SHEET 3 OF 4

SIZE  
B

PART NUMBER

170013-04-01

DESCRIPTION

3CM LUNA SAND BY FORMICA

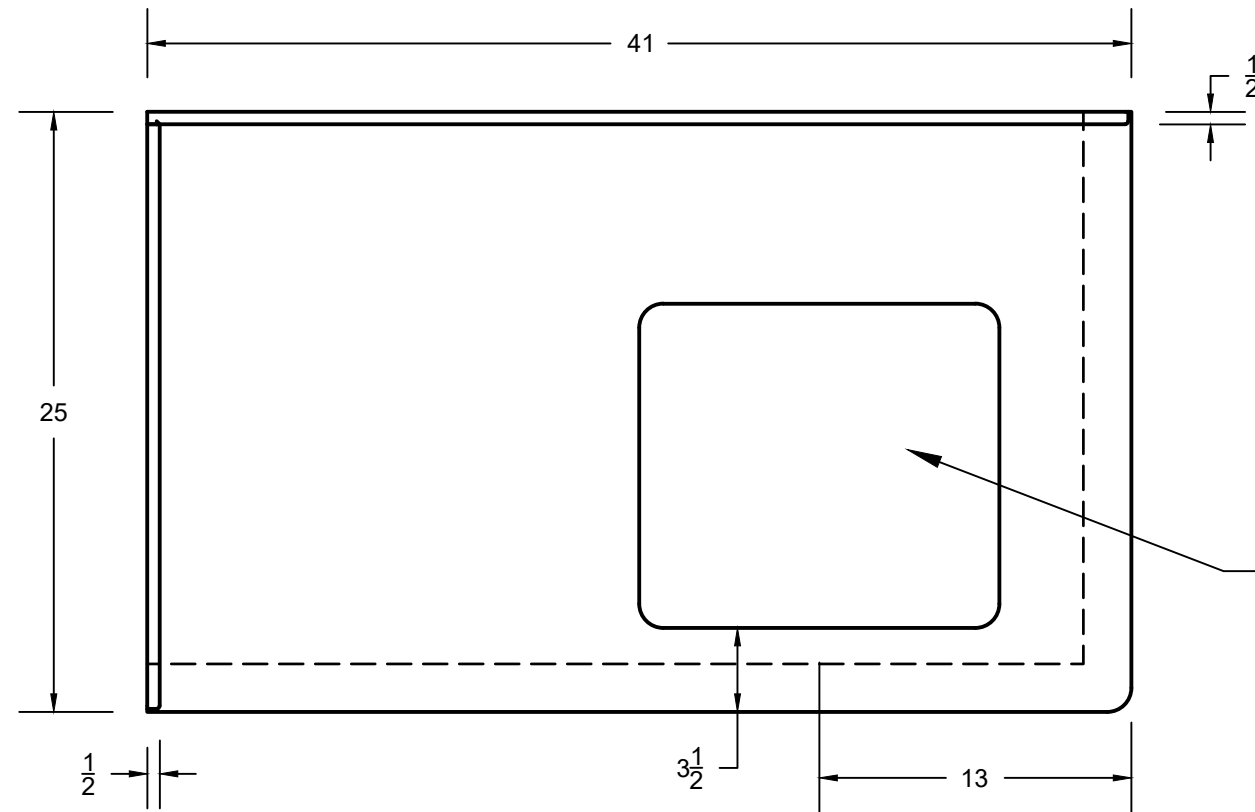
DRAWING NO.

REV.

B

ITEM NO.	PART NUMBER	DESCRIPTION	QTY.
1	170013-01-01	COUNTER TOP - 3CM LUNA SAND BY FORMICA	1

CUSTOMER  
PROJECT  
PHARMACY  
CONSULTATION C-TOP

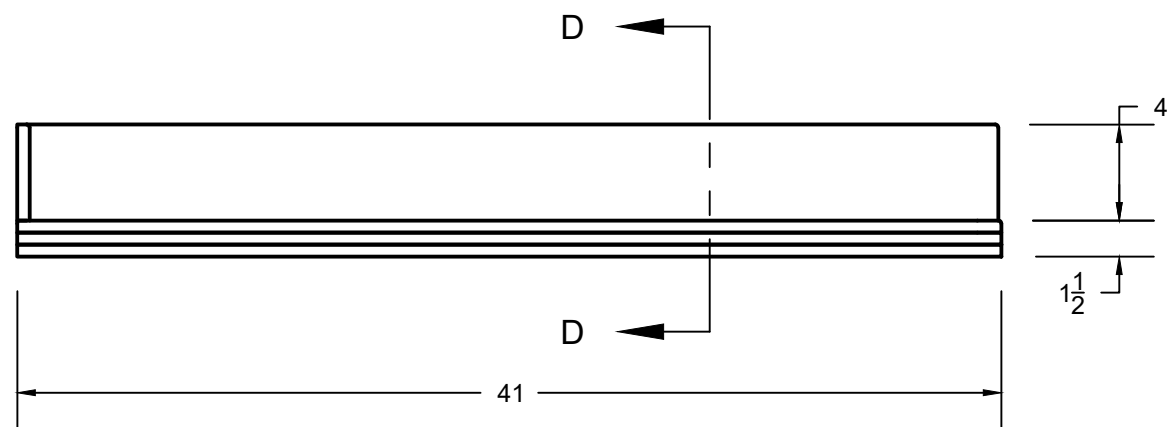


4" LEFT SPLASH  
SHIP LOOSE

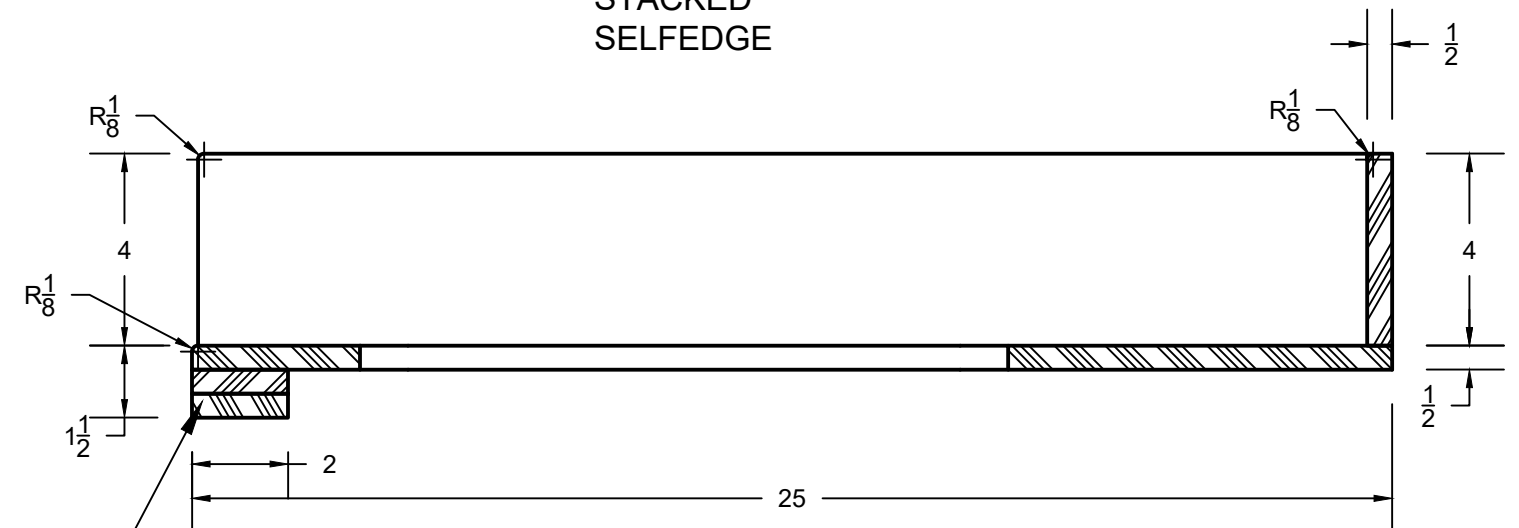
4" BACKSPLASH  
SHIP LOOSE

SINK CUT OUT  
SINK (TBD)

STACKED  
SELFEDGE



STACKED  
SELFEDGE



DIMENSIONS ARE IN INCHES  
TOLERANCES:  
FRACTIONAL 1/16TH  
ANGULAR: 1 DEGREE  
ONE PLACE DECIMAL 0.1  
TWO PLACE DECIMAL 0.06  
THREE PLACE DECIMAL 0.030  
DO NOT SCALE DRAWING

ENG APPR./INIT.

SPD

DESIGN APPR./INIT.

PROD. APPR./INIT.

DATE DRAWN

DATE

DATE

CLIENT

\*\*\*

JOB NAME

\*\*\*

SHEET 3 OF 4

PART NUMBER

170013-01-01

DESCRIPTION

3CM LUNA SAND BY FORMICA

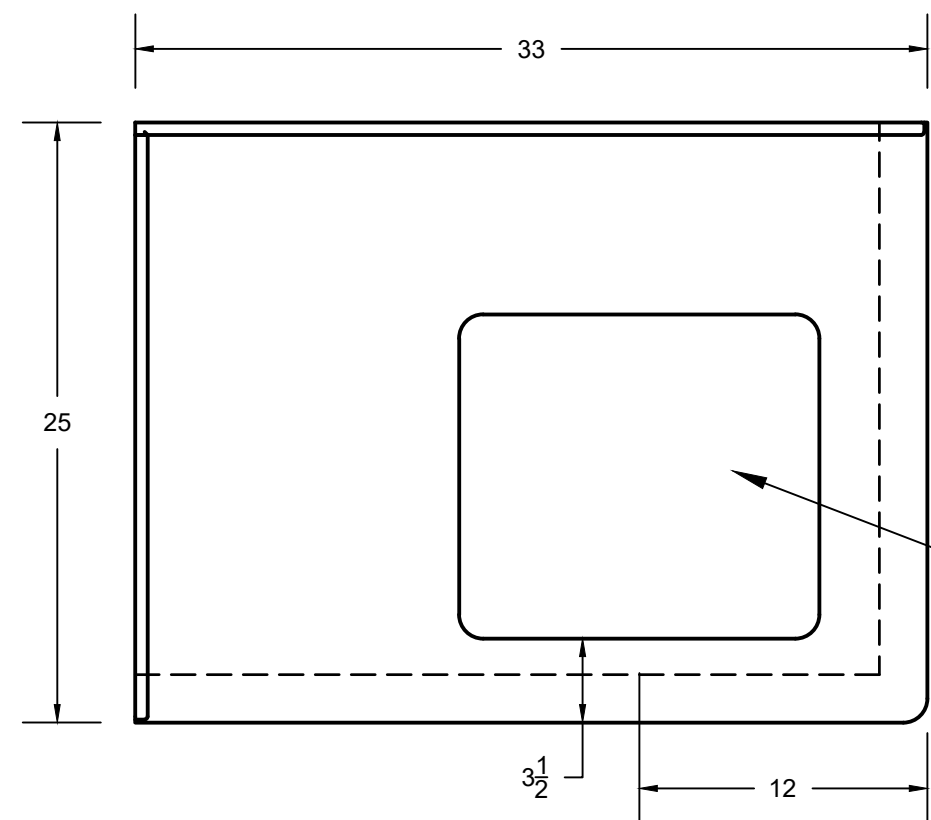
DRAWING NO.

REV.

B

ITEM NO.	PART NUMBER	DESCRIPTION	QTY.
1	170013-02-01	COUNTER TOP - 3CM LUNA SAND BY FORMICA	1

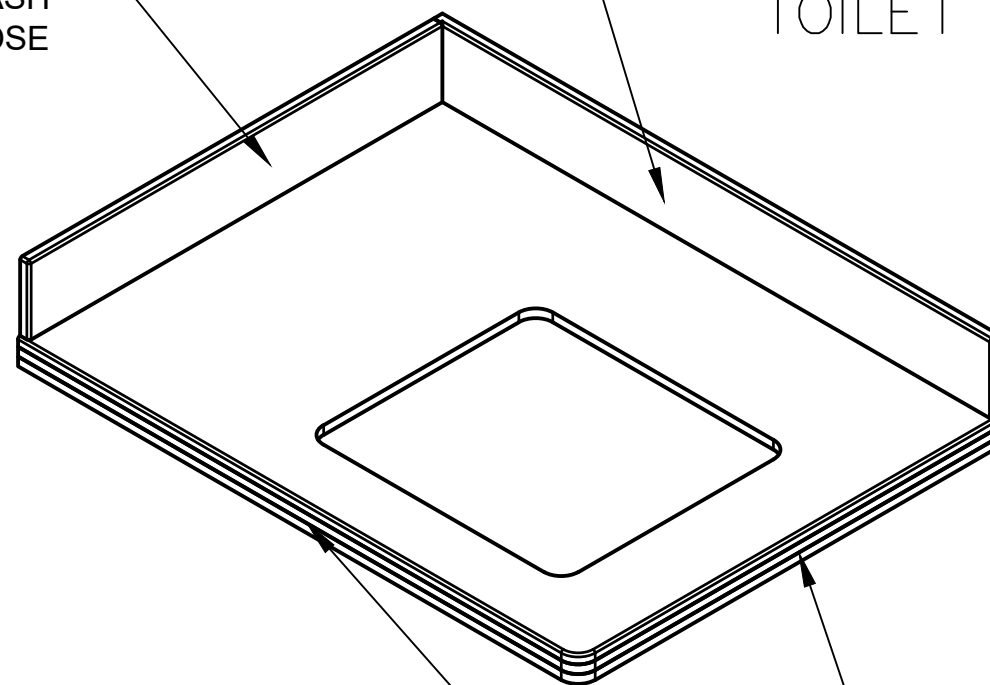
CUSTOMER  
PROJECT  
PHARMACY  
TOILET C-TOP



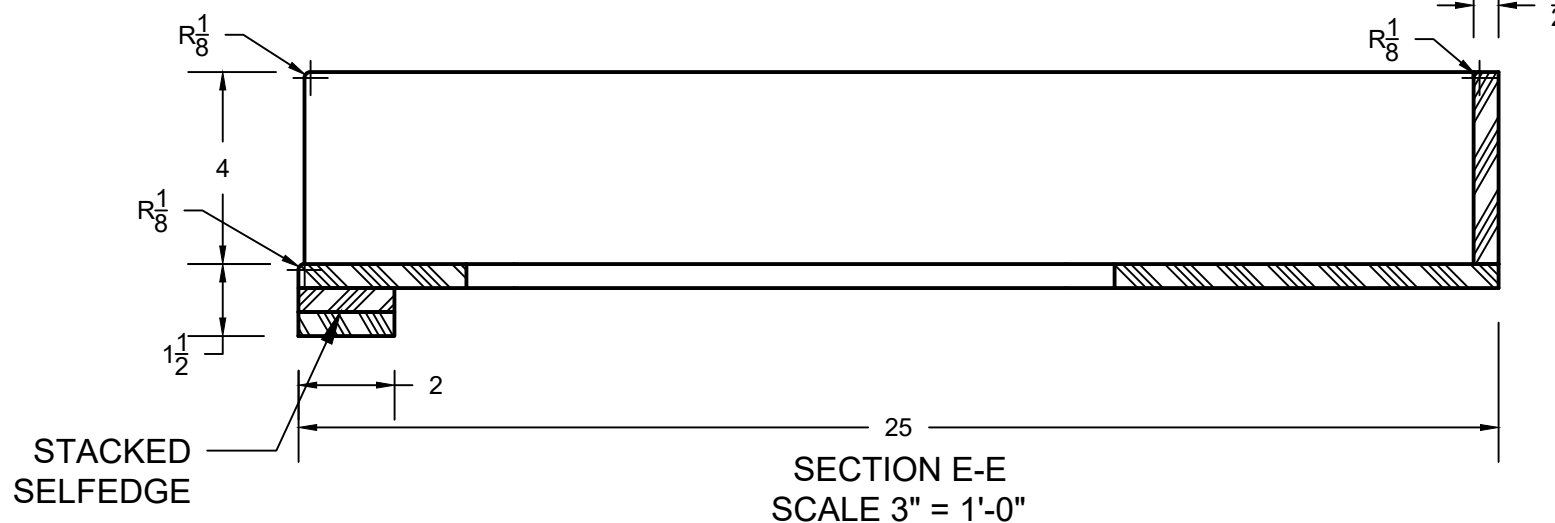
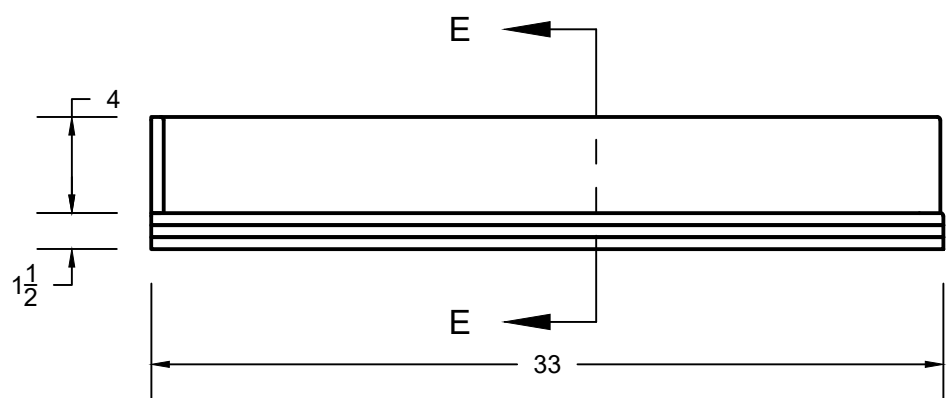
SINK CUT OUT  
SINK (TBD)

4" LEFT SPLASH  
SHIP LOOSE

4" BACKSPLASH  
SHIP LOOSE



STACKED  
SELFEDGE



SECTION E-E  
SCALE 3" = 1'-0"

DIMENSIONS ARE IN INCHES TOLERANCES: FRACTIONAL 1/16TH ANGULAR: 1 DEGREE ONE PLACE DECIMAL 0.1 TWO PLACE DECIMAL 0.06 THREE PLACE DECIMAL 0.030 DO NOT SCALE DRAWING	ENG APPR./INIT.	DATE DRAWN	CLIENT	PART NUMBER
	SPD		***	170013-02-01
	DESIGN APPR./INIT.	DATE	JOB NAME	DESCRIPTION
			***	3CM LUNA SAND BY FORMICA
PROD. APPR./INIT.	DATE	SHEET 3 OF 4	SIZE B	DRAWING NO. REV. B